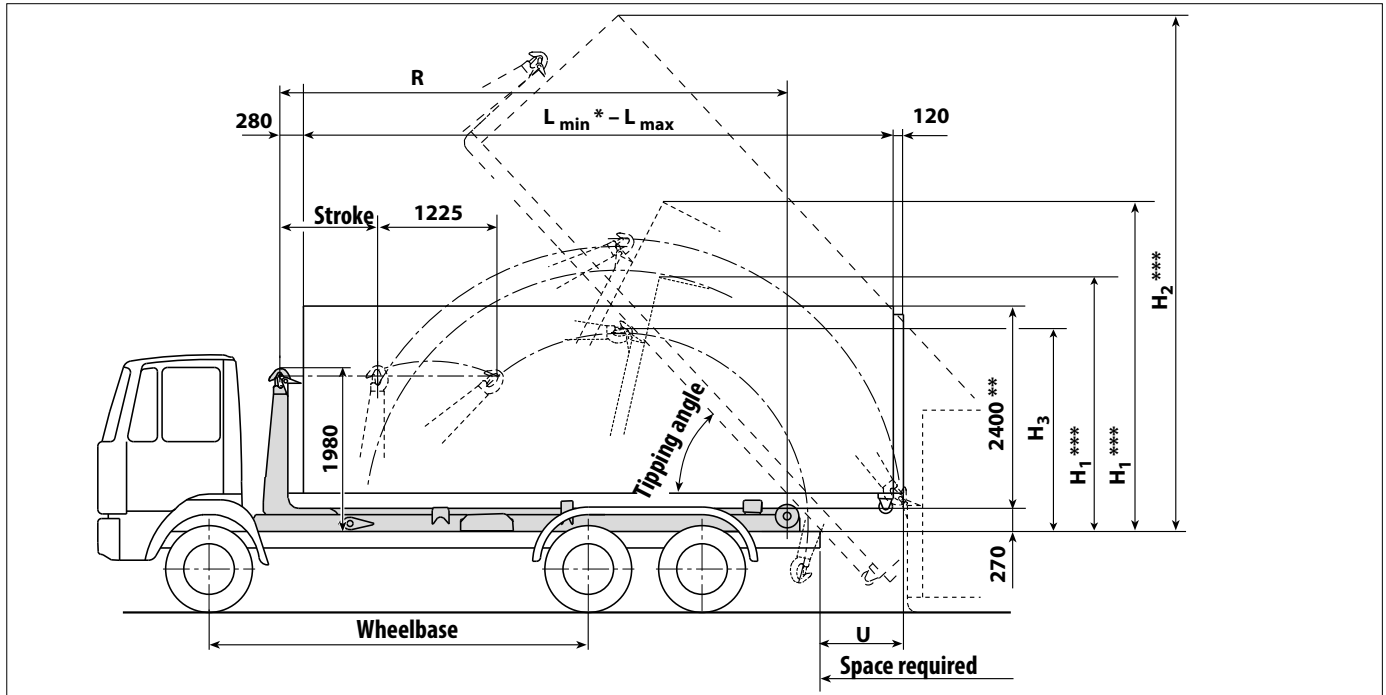




# Hooklift RS26.57-TSKH - RS21.75-TSKH

(according to DIN 30 722-2)



## Technical Data

Technically admissible payload incl. container max. 26.000 kg  
 Effective payload incl. container (depending on the chassis) for chassis with a permissible g.v.w. from 18.000 – 26.000 kg to 28.000 kg

### Hydraulic system:

Pump flow rate at 1 115 r.p.m. 105 l/min  
 Oil tank capacity (effective) 50 l  
 Capacity of the entire hydraulic system 140 l

### Operating time:

a) Setting down 16 – 25 s  
 b) Tipping 20 – 30 s  
 c) Picking up / lowering 19 – 34 s

### Containers according to DIN 30 722 Part 2

with strap height 1.570 mm  
 optional 1.370 – 1.480 mm  
 Max. container width according to StVZO 2.550 mm  
 See Container data sheet 0395 0651 033 page 1  
 Mobile compactors according to DIN 30 730  
 Special containers by arrangement.

RS... TSKH	26.57	26.60	26.62	26.65	26.67	26.70	26.72	26.75
max. container length "L" [mm] standard	5750	6000	6250	6500	6750	7000	7250	7500
min. container length "L" [mm] *)	3750	3750	3750	3750	3750	3750	3750	4000
Stroke [mm]	965	965	1090	1090	1150	1150	1275	1275
Hooklift length "R" [mm]	5010	5135	5385	5635	5885	6135	6385	6635
Tipping angle [°]	58,1	55,7	55,7	51,5	51,5	48	48	44,9
Container overhang "U" [mm]	985	975	975	975	975	975	975	975
"H <sub>1</sub> " Setting down the container [mm] ***)	3495 2815	3495 2815	3580 2865	3580 2865	3715 2955	3715 2955	3810 3015	3810 3015
"H <sub>2</sub> " Container tipped [mm] ***)	5545	5635	5835	5955	6150	6235	6420	6470
"H <sub>3</sub> " Clearance zone radius of jib min. [mm]	2505	2505	2590	2590	2720	2720	2810	2810
Space required [mm]	7045	7225	7475	7660	7795	8060	8315	8490
Wheelbase approx. [mm]	3500 4000	3900 4400	4000 4500	4200 4700	4400 4900	4500 4900	4700 5200	4800 5200
Weight [kg] ****)	2510	2525	2575	2610	2655	2700	2710	2745
max. operating pressure [bar]	280	280	280	280	300	300	320	320
ACTS	yes	yes	yes	yes	yes	yes	yes	yes

\* Tipping is only possible with limitations due to the short container overhang.  
 \*\* The maximum container height is dependent on the vehicle and should be chosen such that, in accordance with the German Motor Vehicle Construction and Use Regulations, the overall height of 4 000 mm is not exceeded when the vehicle is unloaded.  
 \*\*\* The heights are based on a container height of 2 400 mm.  
 \*\*\*\* Weight without oil tank, pump, fixing parts, mud guards, additional equipment such as under-ride guard, axle support, internal locking mechanism, etc. Excess weights depending on the chassis.  
 Exact dimensions and weights will be given, once a chassis has been chosen. For suitable chassis see lists of recommended vehicles.  
 Subject to modification due to new developments!