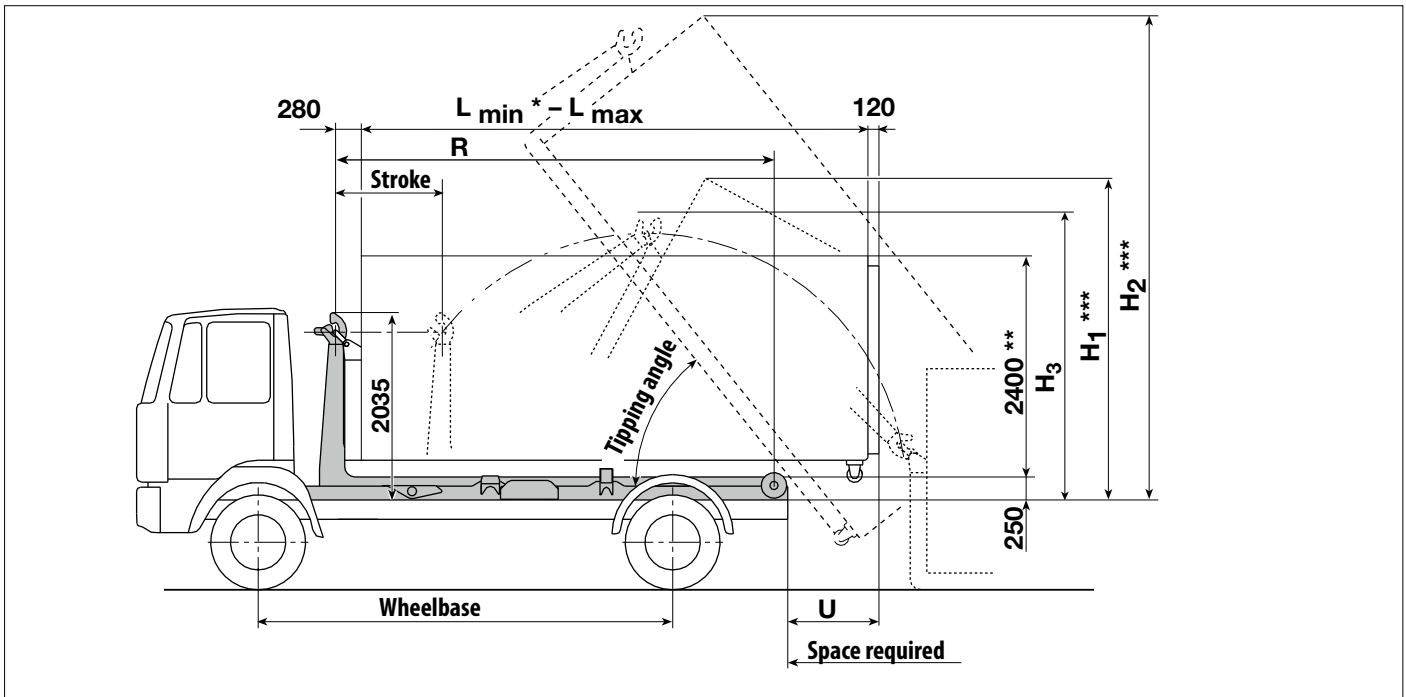




# Hooklift RK 14.45 - RK 14.60

(according to DIN 30 722-1)



## Technical Data

Technically admissible payload max. 14.000 kg  
 incl. container  
 Effective payload 7.000 – 11.000 kg  
 incl. container (depending on the chassis)  
 for chassis with a permissible g.v.w. from 14.500 – 19.000 kg

### Hydraulic system:

Pump flow rate at 1 115 r.p.m. 105 l/min  
 Oil tank capacity (effective) 50 l  
 Capacity of the entire hydraulic system 110 l

### Operating time:

a) Setting down 23 s  
 b) Tipping 23 s  
 c) Picking up 18 s

### Containers according to DIN 30 722 Teil 1

with strap height 1.570 mm  
 optional 1.370 – 1.480 mm  
 Max. container width according to StVZO 2.550 mm  
 See Container data sheet 0395 0651 033 page 1  
 Mobile compactors according to DIN 30 730  
 Special containers by arrangement.

RK	14.45	14.47	14.50	14.52	14.55	14.57	14.60		
max. container length "L" [mm] standard	4500	4750	5000	5250	5500	5750	6000		
min. container length "L" [mm] *	3750	3750	3750	3750	4000	4250	4500		
Stroke [mm]	725	850	975	1035	1160	1160	1225		
Hooklift length "R" [mm]	4010	4135	4260	4510	4760	4885	5135		
Tipping angle	54°	54°	54°	54°	51°	51°	49°		
Overhang "U" [mm]	740	865	990	990	990	990	990		
"H <sub>1</sub> " Setting down container [mm] ***	3280	3310	3330	3480	3500	3510	3650		
"H <sub>2</sub> " Container tipped [mm] ***	4680	4790	4890	5090	5260	5360	5500		
"H <sub>3</sub> " Clearance zone radius of jib min. [mm]	3000	3000	3000	3150	3150	3150	3300		
Space required [mm]	6200	6450	6700	7100	7250	7250	7650		
Wheelbase approx. [mm]	3900	3900	3900 - 4200	4200 - 4500	4500	4800	4800		
Weight [kg] ****	1675	1680	1685	1725	1735	1740	1775		
max. operat. pressure [bar]	280	280	280	300	300	300	320		
Power consumption of pump at max. pressure [kW]	49	49	49	53	53	53	56		
Required driving torque of the pump at max. pressure [Nm]	422	422	422	452	452	452	482		
Operating time for pushing forward the container at full stroke [s]	5	6	7	8	9	9	9		
Operating time for pushing back the container at full stroke [s]	5	6	7	8	9	9	9		

\* Tipping is only possible with limitations due to the short container overhang.  
 \*\* The maximum container height is dependent on the vehicle and should be chosen such that, in accordance with the German Motor Vehicle Construction and Use Regulations, the overall height of 4 000 mm is not exceeded when the vehicle is unloaded.  
 \*\*\* The heights are based on a container height of 2 400 mm.  
 \*\*\*\* Weight without oil tank, pump, fixing parts, mud guards, additional equipment such as under-ride guard, axle support, internal locking mechanism, etc. Excess weights depending on the chassis.  
 Exact dimensions and weights will be given, once a chassis has been chosen. For suitable chassis see lists of recommended vehicles.

Subject to modification due to new developments!

Printed matter No. 0894\_En-736-0217