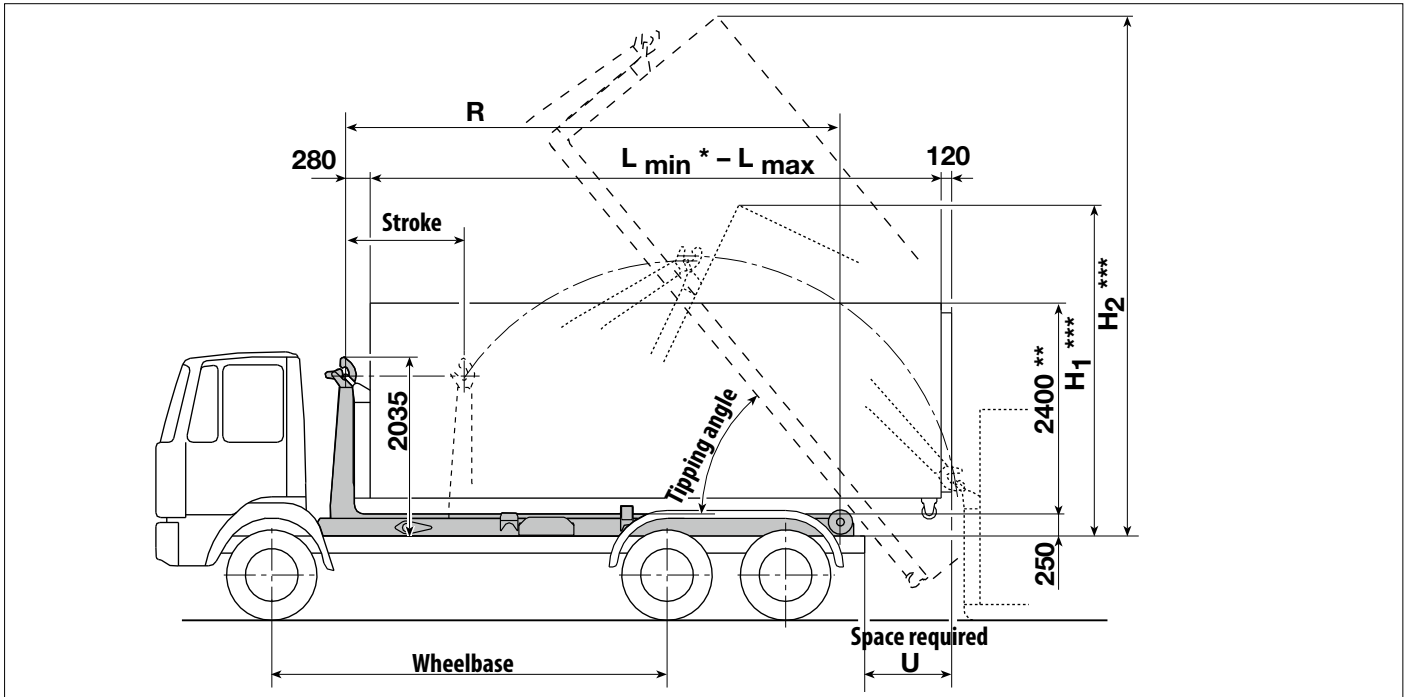




Hooklift RK 20.52 - RK 20.70

(according to DIN 30 722-1)



Technical Data

Technically admissible payload max. 20.000 kg
 incl. container
 Effective payload 13.000 – 16.000 kg
 incl. container (depending on the chassis)
 for chassis with a permissible g.v.w. from 25.000 – 28.000 kg

Hydraulic system:

Pump flow rate 105 l/min
 Oil tank capacity (effective) 50 l
 Capacity of the entire hydraulic system 140 l

Operating time:

a) Setting down 16 – 25 s
 b) Tipping 20 – 30 s
 c) Picking up / lowering 33 s

Containers according to DIN 30 722-1

with strap height 1.570 mm
 optional 1.370 – 1.480 mm
 Max. container width according to StVZO 2.550 mm
 See Container data sheet 0395 0651 033 page 1
 Mobile compactors according to DIN 30 730
 Special containers by arrangement.

RK	20.52	20.55	20.57	20.60	20.62	20.65	20.67	20.70
max. container length "L" [mm] standard	5250	5500	5750	6000	6250	6500	6750	7000
min. container length "L" [mm] *	3750	4000	4250	4500	4750	5000	5250	5500
Stroke [mm]	1035	1160	1225	1225	1350	1350	1475	1475
Hooklift length "R" [mm]	4635	4760	5010	5135	5385	5635	5885	6135
Tipping angle	57°	57°	57°	55°	55°	50°	50°	47°
Container overhang "U" [mm]	865	990	990	990	990	990	990	990
"H ₁ " Setting down container [mm] ****	3400	3510	3560	3670	3690	3770	3820	3820
"H ₂ " Container tipped [mm] ***	5200	5320	5530	5600	5820	5920	6100	6190
"H ₃ " Clearance zone radius of jib min. [mm]	3150	3150	3300	3300	3400	3400	3500	3500
Space required [mm]	7000	7250	7650	7650	8000	8000	8350	8350
Wheelbase approx. [mm]	3300 - 3500	3500 - 3900	3500 - 3900	3900 - 4200	4200 - 4500	4500 - 4800	4500 - 4800	4800
Weight [kg] ****)	2195	2200	2240	2255	2290	2315	2350	2380
max. operating pressure [bar]	250	250	270	270	280	280	300	300
Power consumption of the pump at max. pressure [kW]	44	44	48	48	49	49	53	53
Required driving torque of the pump at max. pressure [Nm]	377	377	407	407	422	422	452	452
Operat. time [s] for pushing forward the container at full stroke	8	9	9	9	10	10	11	11
Operat. time [s] for pushing back the container at full stroke	8	9	9	9	10	10	11	11

* Tipping is only possible with limitations due to the short container overhang.
 ** The maximum container height is dependent on the vehicle and should be chosen such that, in accordance with the German Motor Vehicle Construction and Use Regulations, the overall height of 4 000 mm is not exceeded when the vehicle is unloaded.
 *** The heights are based on a container height of 2 400 mm.
 **** Weight without oil tank, pump, fixing parts, mud guards, additional equipment such as under-ride guard, axle support, internal locking mechanism, etc. Excess weights depending on the chassis.
 Exact dimensions and weights will be given, once a chassis has been chosen. For suitable chassis see lists of recommended vehicles.
 Subject to modification due to new developments!