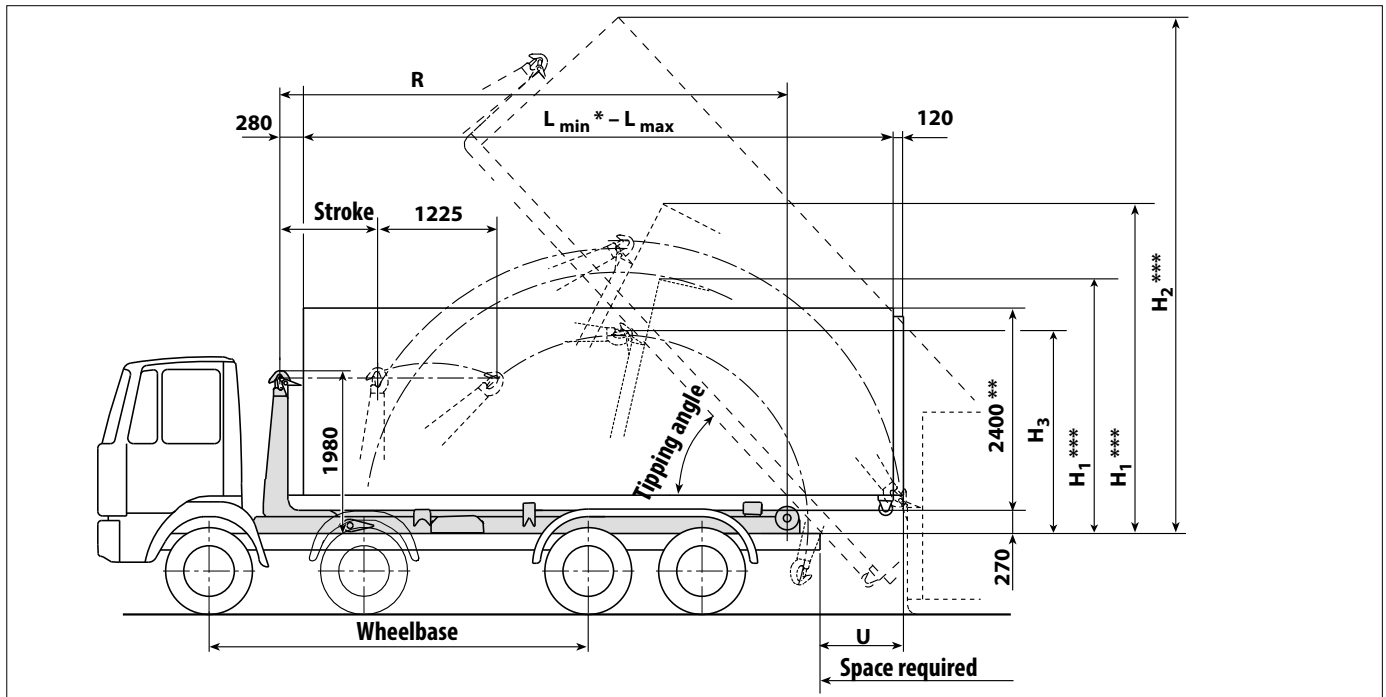




# Hooklift RK30.60-TSL - RK30.70-TSL

(according to DIN 30 722-2)



## Technical Data

Technically admissible payload max. 30.000 kg  
 incl. container  
 Effective payload 18.000 – 26.000 kg  
 incl. container (depending on the chassis)  
 for chassis with a permissible g.v.w. from 28.000 kg

### Hydraulic system:

Pump flow rate at 1 115 r.p.m. 105 l/min  
 Oil tank capacity (effective) 50 l  
 Capacity of the entire hydraulic system 140 l

### Operating time:

a) Setting down 16 – 25 s  
 b) Tipping 20 – 30 s  
 c) Picking up / lowering 19 – 34 s

### Containers according to DIN 30 722 Part 2

with strap height 1.570 mm  
 optional 1.370 – 1.480 mm  
 Max. container width according to StVZO 2.550 mm  
 See Container data sheet 0395 0651 033 page 1  
 Mobile compactors according to DIN 30 730  
 Special containers by arrangement.

RK .... TSL	30.60	30.62	30.65	30.67	30.70			
max. container length "L" [mm] standard	6000	6250	6500	6750	7000			
min. container length "L" [mm] *)	4000	4250	4500	4750	5000			
Stroke [mm]	855	1105	1105	1105	1105			
Hooklift length "R" [mm]	5585	5835	6085	6335	6585			
Tipping angle [°]	55°	55°	51°	48°	48°			
Container overhang "U" [mm]	645	645	645	645	645			
"H <sub>1</sub> " Setting down the container [mm] ***)	3145 - 4075	3145 - 4090	3160 - 4105	3170 - 4120	3320 - 4325			
"H <sub>2</sub> " Container tipped [mm] ***)	6010	6215	6320	6405	6590			
"H <sub>3</sub> " Clearance zone radius of jib min. [mm]	3350	3350	3350	3350	3650			
Space required [mm]	6800 - 7900	7050 - 8150	7050 - 8150	7150 - 8150	7500 - 8600			
Wheelbase approx. [mm]	4300 - 4500	4500 - 4800	4800 - 5100	5100 - 5300	5300 - 5500			
Weight [kg] ****)	3530	3525	3590	3635	3675			
max. operating pressure [bar]	300	320	320	320	320			
ACTS	yes	yes	yes	yes	no			

\* Tipping is only possible with limitations due to the short container overhang.  
 \*\* The maximum container height is dependent on the vehicle and should be chosen such that, in accordance with the German Motor Vehicle Construction and Use Regulations, the overall height of 4 000 mm is not exceeded when the vehicle is unloaded.  
 \*\*\* The heights are based on a container height of 2 400 mm.  
 \*\*\*\* Weight without oil tank, pump, fixing parts, mud guards, additional equipment such as under-ride guard, axle support, internal locking mechanism, etc. Excess weights depending on the chassis.  
 Exact dimensions and weights will be given, once a chassis has been chosen. For suitable chassis see lists of recommended vehicles.  
 Subject to modification due to new developments!