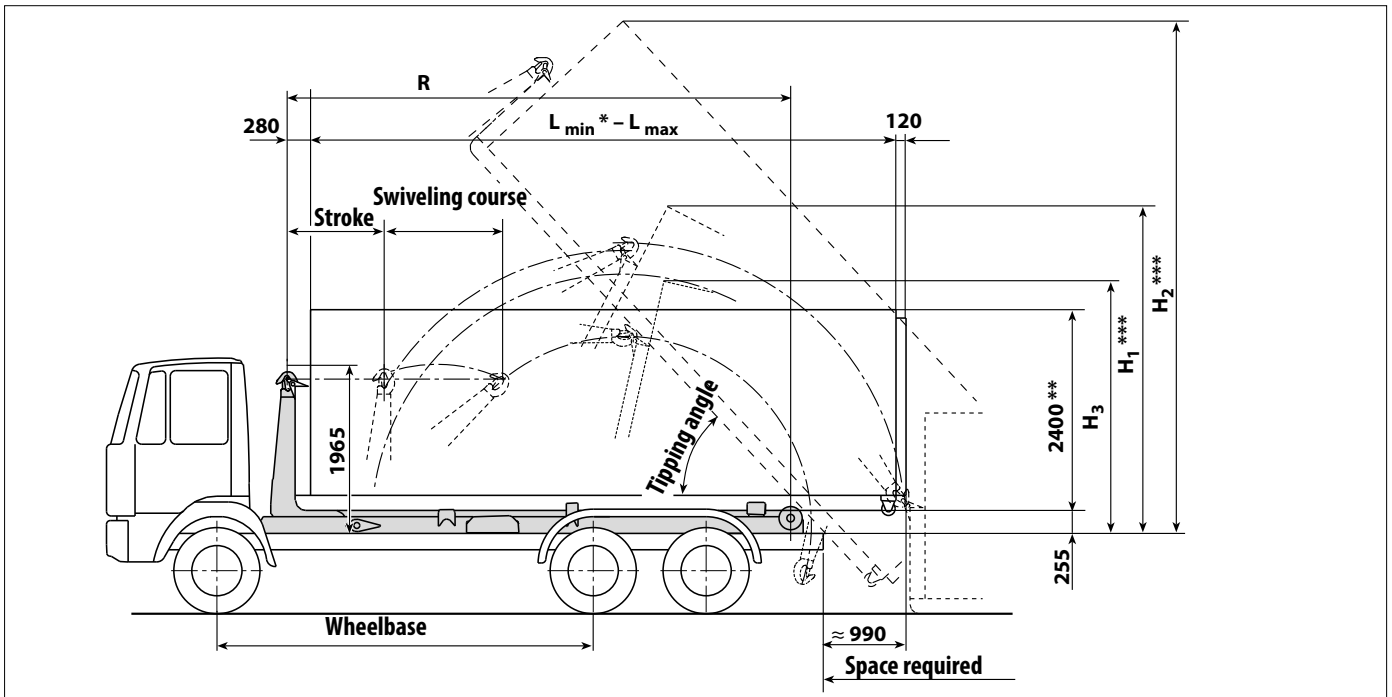




Hooklift RS21.55-TSH - RS21.72-TSH

(according to DIN 30 722-1)



Technical Data

Technically admissible payload max. 21.000 kg
 incl. container
 Effective payload 13.000 – 16.000 kg
 incl. container (depending on the chassis)
 for chassis with a permissible g.v.w. from 25.000 – 28.000 kg

Hydraulic system:

Pump flow rate at 1 115 r.p.m. 105 l/min
 Oil tank capacity (effective) 50 l
 Capacity of the entire hydraulic system 160 l

Operating time:

a) Setting down 16 – 25 s
 b) Tipping 20 – 30 s
 c) Picking up / lowering 34 s

Containers according to DIN 30 722 Part 1

with strap height 1.570 mm
 optional 1.370 – 1.480 mm
 Max. container width according to StVZO 2.550 mm
 See Container data sheet 0395 0651 033 page 1
 Mobile compactors according to DIN 30 730
 Special containers by arrangement.

RS TSH	21.55	21.57	21.60	21.62	21.65	21.67	21.70	21.72
max. container length "L" [mm] standard	5500	5750	6000	6250	6500	6750	7000	7250
min. container length "L" [mm] *)	3750	3750	3750	3750	3750	3750	4000	4000
Stroke [mm]	910	1035	1035	1160	1160	1225	1225	1350
Hooklift length "R" [mm]	1218	1218	1218	1218	1218	1202	873	1002
Tipping angle	4885	5010	5135	5385	5635	5885	6135	6385
Container overhang "U" [mm]	57	57	55	55	51	51	47	47
"H ₁ " Setting down the container [mm] ***)	2960-3745	2960-3765	2965-3775	3055-3885	3055-3895	3210-4050	3450-4060	3455-4165
"H ₂ " Container tipped [mm] ***)	5425	5530	5615	5820	5940	6130	6190	6370
"H ₃ " Clearance zone radius of jib min. [mm]	2850	2850	2850	2950	2950	3150	3150	3300
Space required [mm]	6480-7430	6730-7680	6825-7775	7150-8125	7145-8130	7555-8535	7825-8535	8060-8890
Wheelbase approx. [mm]	3600-3900	3900-4200	3900-4200	4200-4500	4500	4500-4800	4800	4800-5100
Weight [kg] ****)	2410	2420	2435	2480	2510	2555	2585	2595
max. operating pressure [bar]	270	270	270	290	290	310	320	320
Power consumption of the pump at max. pressure [kW]								
Required driving torque of the pump at max. pressure [Nm]								
Operating time for pushing forward the container at full stroke incl. swivelling course [s]								
Operating time for pushing back the container at full stroke incl. swivelling course [s]								
ACTS tauglich	yes	yes	yes	yes	yes	no		

* Tipping is only possible with limitations due to the short container overhang.
 ** The maximum container height is dependent on the vehicle and should be chosen such that, in accordance with the German Motor Vehicle Construction and Use Regulations, the overall height of 4 000 mm is not exceeded when the vehicle is unloaded.
 *** The heights are based on a container height of 2 400 mm.
 **** Weight without oil tank, pump, fixing parts, mud guards, additional equipment such as under-ride guard, axle support, internal locking mechanism, etc. Excess weights depending on the chassis.
 Exact dimensions and weights will be given, once a chassis has been chosen. For suitable chassis see lists of recommended vehicles.
 Subject to modification due to new developments!