



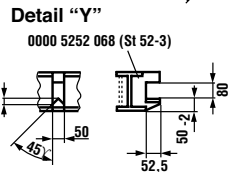
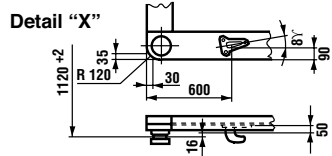
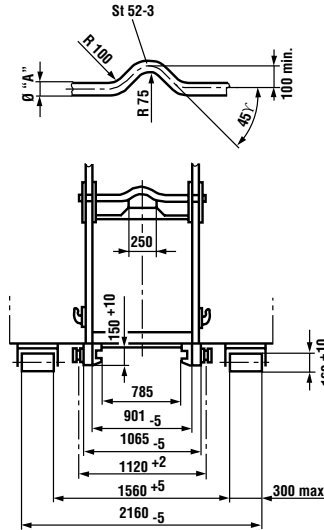
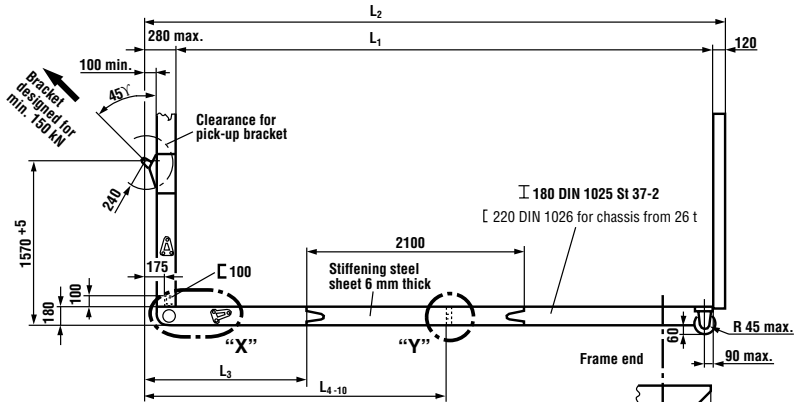
Connecting dimensions for roll-off tipper container

according to DIN 30 722 part 1 and 2, 30 730 and 14 505 (1570 mm bracket dimension) and table with MEILLER Hooklift types together with corresponding container lengths

0395 0651 033

Page 1

Edition: February 2016



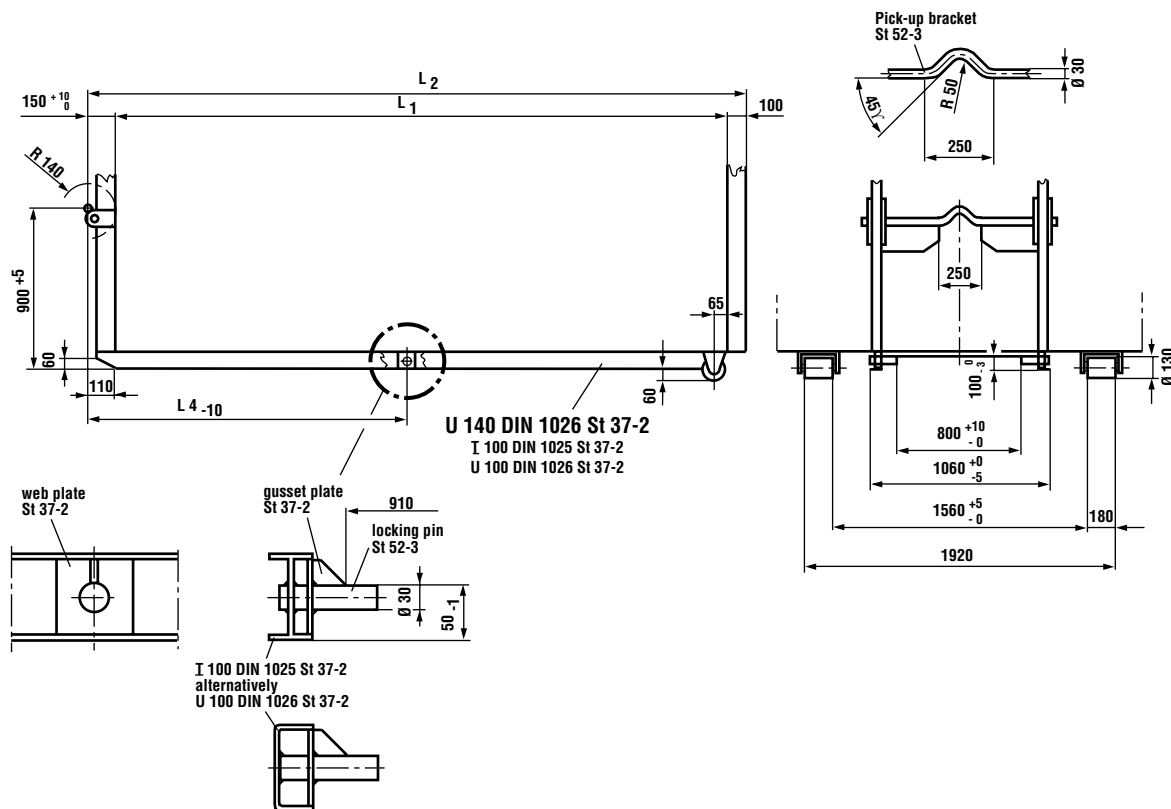
Pick-up bracket

"A"	Chassis	Hooklift type
Ø 50	up to 26 t	RK 8.45 – 20.70 (TS), RK 8.XX – 20.XX (TS)
Ø 60	up to 32 t	RK 30.XX (K, L, TSK, TSL)

Interior container length L_1 [mm]	3750	4000	4250	4500	4750	5000	5250	5500	5750	6000	6250	6500	6750	7000
Container locking device L_2 [mm]	2515	2640	2765	2890	3015	3140	3265	3390	3515	3640	3765	3890	4015	4140
Container overall length L_2 [mm]	4150	4400	4650	4900	5150	5400	5650	5900	6150	6400	6650	6900	7150	7400
Dimensions for stiffener L_3 [mm]	1350	1550	1700	1800	2150	2250	2350	2500	2700	2850	2950	2950	3650	3800
RK 8.45, 11.45, 14.45														
RK 14.47														
RK 14.50														
RK 14.52, 20.52														
RK 8.55, 11.55, 14.55, 20.55														
RK 14.57, 20.57														
RK 20.57 TS														
RK14.60, 20.60														
RK 20.60 TS														
RK 30.60 L														
RK 30.60 TSL														
RK 14.62, 20.62, 30. 62 K														
RK 20.62 TS														
RK 30.62 L														
RK 30.62 TSK														
RK 30.62 TSL														
RK 14.65, 20.65, 30. 65 K														
RK 20.65 TS														
RK 30.65 L														
RK 30.65 TSK														
RK 30.65 TSL														
RK 14.67, 20.67, 30. 67 K														
RK 20.67 TS														
RK 30.67 L														
RK 30.67 TSK														
RK 30.67 TSL														
RK 20.70, 30. 70 K														
RK 20.70 TS														
RK 30.70 L														
RK 30.70 TSK														
RK 30.70 TSL														

Subject to change!

8968_En-636-0216



Interior container length [mm]	Container locking device [mm]	Container overall length [mm]		
L_1	L_4	L_2	RK 6.45	RK 6.50
3500	1885	3750		
3750	1948	4000		
4000	2010	4250		
4250	2073	4500		
4500	2135	4750		
4750	2260	5000		
5000	2385	5250		

The hatched sections in the table show the different container lengths which can be transported with the respective hooklift types. the shortest container from each group can be tipped with restrictions only due to the small chassis overhang.

Subject to change!

8968_En-636-0216