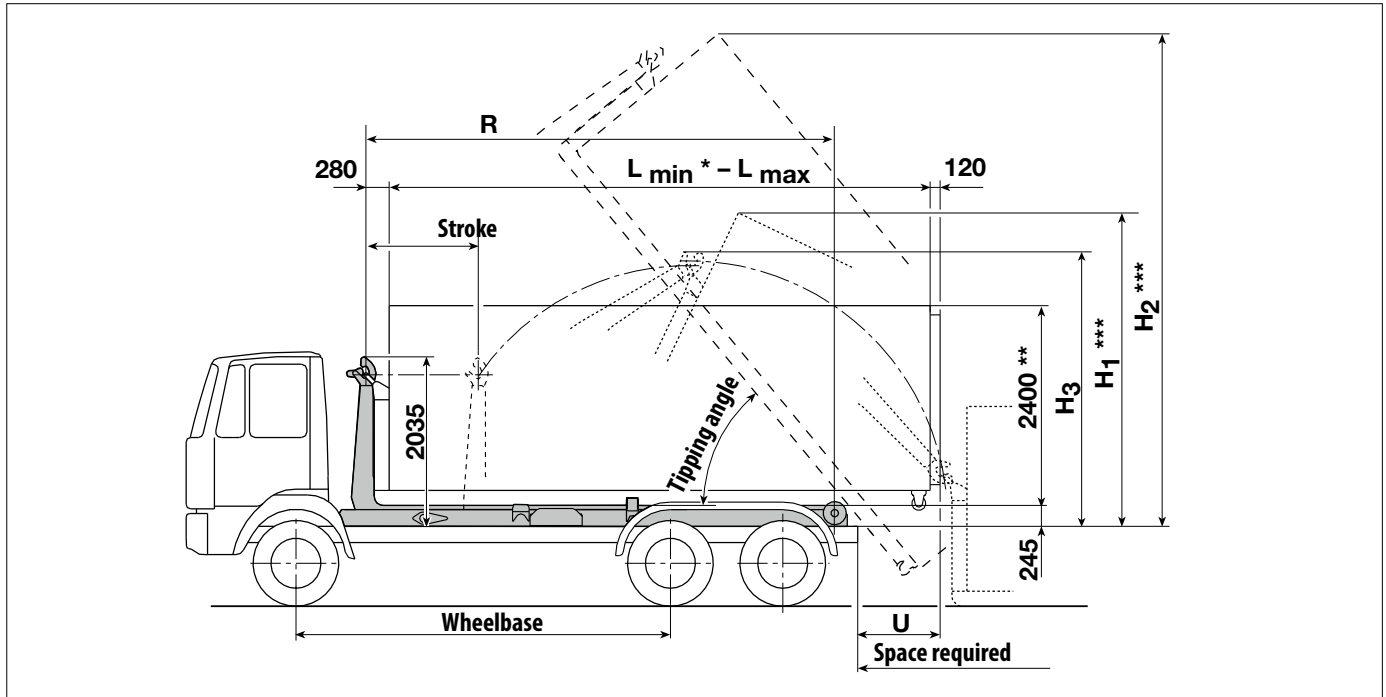




# Hooklift RS26.52-K – RS26.75-K

(according to DIN 30 722-2)



## Technical Data

Technically admissible payload max. 26.000 kg  
 incl. container  
 Effective payload 18.000 – 26.000 kg  
 incl. container (depending on the chassis)  
 for chassis with a permissible g.v.w. from 28.000 kg

### Hydraulic system:

Pump flow rate 105 l/min  
 Oil tank capacity (effective) 50 l  
 Capacity of the entire hydraulic system 140 l

### Operating time:

a) Setting down 16 – 25 s  
 b) Tipping 20 – 30 s  
 c) Picking up / lowering 19 – 34 s

### Containers according to DIN 30 722-2

with strap height 1.570 mm  
 optional 1.370 – 1.480 mm  
 Max. container width according to StVZO 2.550 mm  
 See Container data sheet 0395 0651 033 page 1  
 Mobile compactors according to DIN 30 730  
 Special containers by arrangement.

RS...K	26.55	26.57	26.60	26.62	26.65	26.67	26.70	26.72	26.75
max. container length "L" [mm] standard	5500	5750	6000	6250	6500	6750	7000	7250	7500
min. container length "L" [mm] *	4000	4250	4500	4750	5000	5250	5500	5750	6000
Stroke [mm]	1025	1150	1150	1275	1275	1400	1400	1525	1525
Roll-off tipper length "R" [mm]	4885	5010	5135	5385	5635	5885	6135	6385	6635
Tipping angle [°]	58.1	58.1	55.7	55.7	51.5	51.5	48	48	44.9
Container overhang "U" [mm]	850	975	975	975	975	975	975	975	975
"H <sub>1</sub> " Setting down container [mm] ****	3685	3705	3720	3825	3835	3945	3955	4060	4070
"H <sub>2</sub> " Container tipped [mm] ***	5425	5530	5615	5820	5940	6135	6215	6400	6450
"H <sub>3</sub> " Clearance zone radius of jib min. [mm]	3250	3250	3250	3350	3350	3450	3450	3560	3560
Space required [mm]	7320	7470	7570	7925	7925	8180	8280	8635	8635
Wheelbase approx. [mm]	3500	3500	3900	4000	4200	4400	4500	4700	4800
	3900	4000	4400	4500	4700	4900	4900	5200	5200
Weight [kg] ****)	2295	2300	2315	2350	2380	2425	2465	2480	2510
max. operating pressure [bar]	280	280	280	280	280	300	300	320	320

\* Tipping is only possible with limitations due to the short container overhang.

\*\* The maximum container height is dependent on the vehicle and should be chosen such that, in accordance with the German Motor Vehicle Construction and Use Regulations, the overall height of 4 000 mm is not exceeded when the vehicle is unloaded.

\*\*\* The heights are based on a container height of 2 400 mm.

\*\*\*\* Weight without oil tank, pump, fixing parts, mud guards, additional equipment such as under-ride guard, axle support, internal locking mechanism, etc. Excess weights depending on the chassis.

Exact dimensions and weights will be given, once a chassis has been chosen. For suitable chassis see lists of recommended vehicles.

Subject to modification due to new developments!