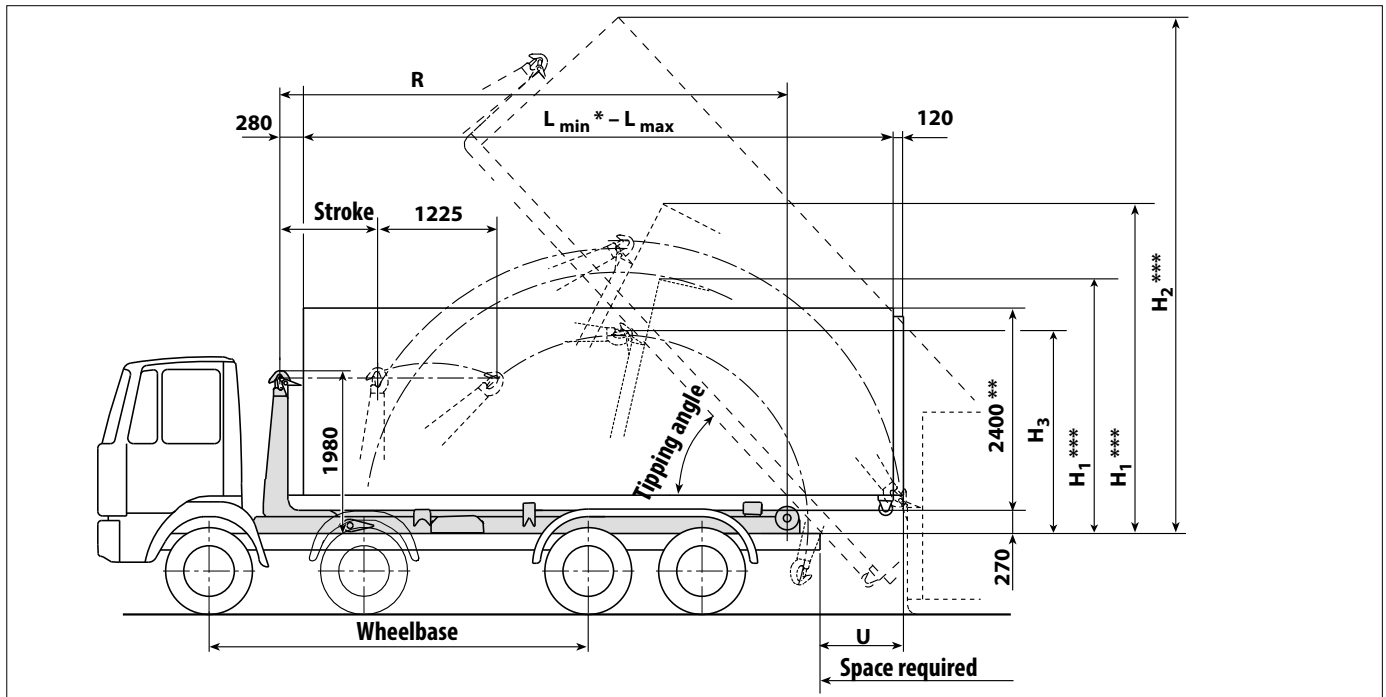




Hooklift RS26.52-TSL - RS26.70-TSL

(according to DIN 30 722-2)



Technical Data

Technically admissible payload incl. container max. 26.000 kg
 Effective payload incl. container (depending on the chassis) 18.000 – 26.000 kg
 for chassis with a permissible g.v.w. from 28.000 kg

Hydraulic system:

Pump flow rate at 1 115 r.p.m. 105 l/min
 Oil tank capacity (effective) 50 l
 Capacity of the entire hydraulic system 140 l

Operating time:

a) Setting down 16 – 25 s
 b) Tipping 20 – 30 s
 c) Picking up / lowering 19 – 34 s

Containers according to DIN 30 722 Part 2 with strap height

optional 1.570 mm
1.370 – 1.480 mm
 Max. container width according to StVZO 2.550 mm
 See Container data sheet 0395 0651 033 page 1
 Mobile compactors according to DIN 30 730
 Special containers by arrangement.

RS... TSL	26.52	26.55	26.57	26.60	26.62	26.65	26.67	26.70
max. container length "L" [mm] standard	5250	5500	5750	6000	6250	6500	6750	7000
min. container length "L" [mm] *)	3750	3750	3750	3750	3750	3750	3750	4000
Stroke [mm]	965	965	1090	1090	1150	1150	1275	1275
Hooklift length "R" [mm]	5010	5135	5385	5635	5885	6135	6385	6635
Tipping angle [°]	58,1	55,7	55,7	51,5	51,5	48	48	44,9
Container overhang "U" [mm]	485	610	610	610	610	610	610	610
"H ₁ " Setting down the container [mm] ***)	3495 2825	3495 2815	3580 2865	3580 2865	3715 2950	3715 2950	3810 3015	3810 3015
"H ₂ " Container tipped [mm] ***)	5545	5625	5835	5955	6150	6235	6420	6465
"H ₃ " Clearance zone radius of jib min. [mm]	2505	2505	2590	2590	2720	2720	2810	2810
Space required [mm]	6645	6860	7010	7300	7530	7695	7850	8125
Wheelbase approx. [mm]	4250	4250	4250 4300	4300 4500	4500 4800	4800 5100	5100 5300	5300 5500
Weight [kg] ****)	2505	2525	2570	2610	2650	2695	2730	2770
max. operating pressure [bar]	300	300	320	320	320	320	320	320
ACTS	yes	yes	yes	yes	yes	yes	yes	yes

* Tipping is only possible with limitations due to the short container overhang.
 ** The maximum container height is dependent on the vehicle and should be chosen such that, in accordance with the German Motor Vehicle Construction and Use Regulations, the overall height of 4 000 mm is not exceeded when the vehicle is unloaded.
 *** The heights are based on a container height of 2 400 mm.
 **** Weight without oil tank, pump, fixing parts, mud guards, additional equipment such as under-ride guard, axle support, internal locking mechanism, etc. Excess weights depending on the chassis.
 Exact dimensions and weights will be given, once a chassis has been chosen. For suitable chassis see lists of recommended vehicles.
 Subject to modification due to new developments!