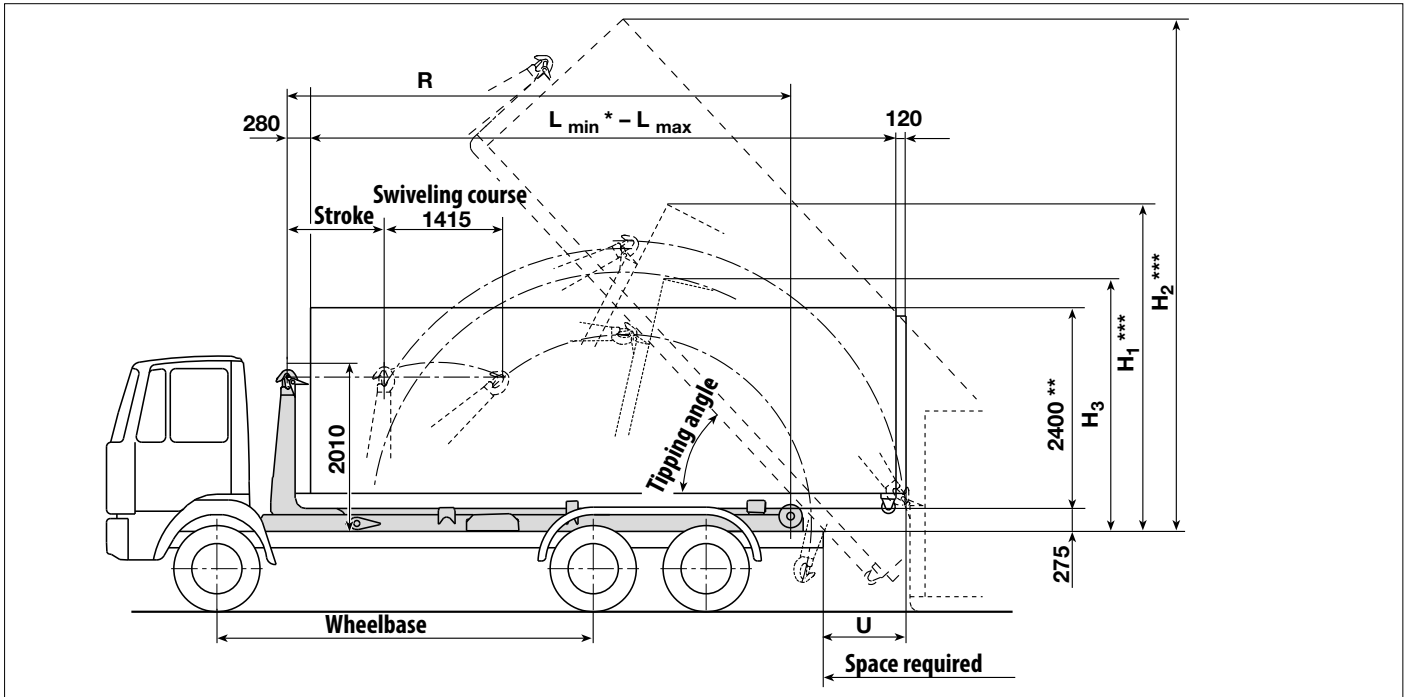




Hooklift RK 20.57 TS - RK 20.70 TS

(according to DIN 30 722-1)



Technical Data

Technically admissible payload max. 20.000 kg
 incl. container
 Effective payload 13.000 – 16.000 kg
 incl. container (depending on the chassis)
 for chassis with a permissible g.v.w. from 25.000 – 28.000 kg

Hydraulic system:

Pump flow rate at 1 115 r.p.m. 105 l/min
 Oil tank capacity (effective) 50 l
 Capacity of the entire hydraulic system 160 l

Operating time:

a) Setting down 16 – 25 s
 b) Tipping 20 – 30 s
 c) Picking up / lowering 34 s

Containers according to DIN 30 722 Part 1

with strap height 1.570 mm
 optional 1.420 – 1.480 mm
 Max. container width according to StVZO 2.550 mm
 See Container data sheet 0395 0651 033 page 1
 Mobile compactors according to DIN 30 730
 Special containers by arrangement.

RK TS	20.57	20.60	20.62	20.65	20.67	20.70		
max. container length "L" [mm] standard	5750	6000	6250	6500	6750	7000		
min. container length "L" [mm] *)	4000	4000	4000	4000	4000	4250		
Stroke [mm]	660	785	785	1035	1035	1160		
Hooklift length "R" [mm]	5020	5145	5395	5645	5895	6145		
Tipping angle	55°	55°	51°	51°	47°	47°		
Container overhang "U" [mm]	980	980	980	980	980	980		
"H ₁ " Setting down the container [mm] ***)	3085 -3960	3085 -3980	3100 -3995	3100 -4005	3115 -4020	3190 -4125		
"H ₂ " Container tipped [mm] ***)	5535	5635	5760	5950	6035	6215		
"H ₃ " Clearance zone radius of jib min. [mm]	3150	3150	3150	3150	3150	3300		
Space required [mm]	6800 - 7800	6950 - 7950	6950 - 7950	7200 - 8200	7200 - 8200	7550 - 8600		
Wheelbase approx. [mm]	3900	3900 - 4200	4200 - 4500	4500	4500 - 4800	4800		
Weight [kg] ****)	2690	2695	2720	2725	2760	2780		
max. operating pressure [bar]	300	300	300	300	300	300		
Power consumption of the pump at max. pressure [kW]	53	53	53	53	53	53		
Required driving torque of the pump at max. pressure [Nm]	452	452	452	452	452	452		
Operating time for pushing forward the container at full stroke incl. swivelling course [s]	14	15	15	17	17	18		
Operating time for pushing back the container at full stroke incl. swivelling course [s]	13	14	14	16	16	17		
ACTS tauglich	yes	yes	yes	yes	yes	no		

* Tipping is only possible with limitations due to the short container overhang.
 ** The maximum container height is dependent on the vehicle and should be chosen such that, in accordance with the German Motor Vehicle Construction and Use Regulations, the overall height of 4 000 mm is not exceeded when the vehicle is unloaded.
 *** The heights are based on a container height of 2 400 mm.
 **** Weight without oil tank, pump, fixing parts, mud guards, additional equipment such as under-ride guard, axle support, internal locking mechanism, etc. Excess weights depending on the chassis.
 Exact dimensions and weights will be given, once a chassis has been chosen. For suitable chassis see lists of recommended vehicles.
 Subject to modification due to new developments!