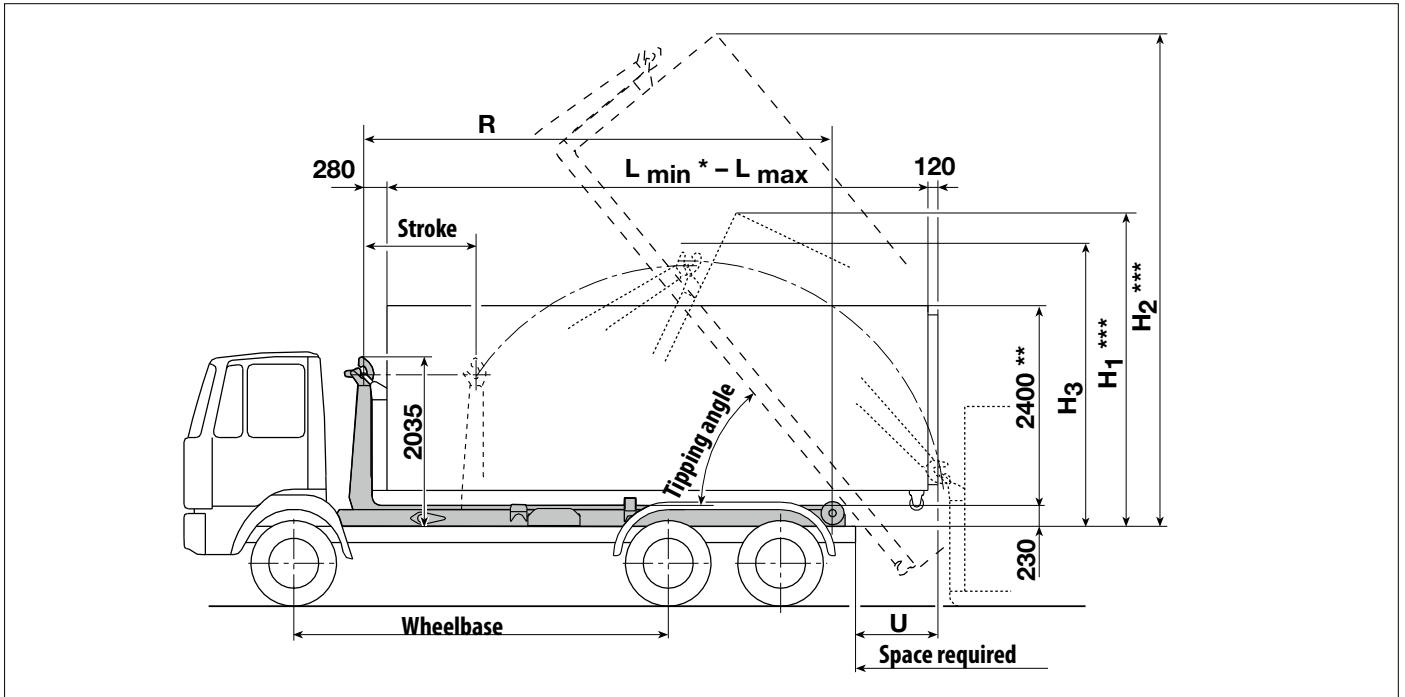




# Hooklift RS21.52 - RS21.75

(according to DIN 30 722-1)



## Technical Data

Technically admissible payload max. 21.000 kg  
 incl. container  
 Effective payload 13.000 – 16.000 kg  
 incl. container (depending on the chassis)  
 for chassis with a permissible g.v.w. from 25.000 – 28.000 kg

### Hydraulic system:

Pump flow rate 105 l/min  
 Oil tank capacity (effective) 50 l  
 Capacity of the entire hydraulic system 140 l

### Operating time:

a) Setting down 16 – 25 s  
 b) Tipping 20 – 30 s  
 c) Picking up / lowering 19 – 34 s

### Containers according to DIN 30 722-1

with strap height 1.570 mm  
 optional 1.370 – 1.480 mm  
 Max. container width according to StVZO 2.550 mm  
 See Container data sheet 0395 0651 033 page 1  
 Mobile compactors according to DIN 30 730  
 Special containers by arrangement.

RS	21.52	21.55	21.57	21.60	21.62	21.65	21.67	21.70	21.72	21.75
max. container length "L" [mm] standard	5250	5500	5750	6000	6250	6500	6750	7000	7250	7500
min. container length "L" [mm] *	3750	4000	4250	4500	4750	5000	5250	5500	5750	6000
Stroke [mm]	1035	1160	1225	1225	1350	1350	1475	1475	1475	1600
Roll-off tipper length "R" [mm]	4635	4760	5010	5135	5385	5635	5885	6135	6385	6635
Tipping angle	57°	57°	57°	55°	55°	50°	50°	47°	47°	46°
Container overhang "U" [mm]	865	990	990	990	990	990	990	990	990	990
"H <sub>1</sub> " Setting down container [mm] ***	3485	3495	3645	3655	3755	3770	3870	3880	4085	4095
"H <sub>2</sub> " Container tipped [mm] ***	5200	5305	5515	5595	5800	5870	6110	6170	6350	6490
"H <sub>3</sub> " Clearance zone radius of jib min. [mm]	3150	3150	3300	3300	3400	3400	3500	3500	3700	3700
Space required [mm]	7000	7250	7600	7650	8000	8000	8350	8450	8800	8900
Wheelbase approx. [mm]	3500	3500	3500	3900	4000	4200	4400	4500	4700	4800
	3700	3900	4000	4400	4500	4700	4900	4900	5200	5200
Weight [kg] ****	2075	2080	2120	2125	2165	2190	2225	2250	2315	2330
max. operating pressure [bar]	270	270	280	280	300	300	300	320	320	320
Power consumption of the pump at max. pressure [kW]	48	48	49	49	53	53	53	56	56	56
Required driving torque of the pump at max. pressure [Nm]	407	407	422	422	452	452	452	482	482	482
Operat. time [s] for pushing forward the container at full stroke	8	9	9	9	10	10	11	11		
Operat. time [s] for pushing back the container at full stroke	8	9	9	9	10	10	11	11		

\* Tipping is only possible with limitations due to the short container overhang.  
 \*\* The maximum container height is dependent on the vehicle and should be chosen such that, in accordance with the German Motor Vehicle Construction and Use Regulations, the overall height of 4 000 mm is not exceeded when the vehicle is unloaded.  
 \*\*\* The heights are based on a container height of 2 400 mm.  
 \*\*\*\* Weight without oil tank, pump, fixing parts, mud guards, additional equipment such as under-ride guard, axle support, internal locking mechanism, etc. Excess weights depending on the chassis.  
 Exact dimensions and weights will be given, once a chassis has been chosen. For suitable chassis see lists of recommended vehicles.  
 Subject to modification due to new developments!